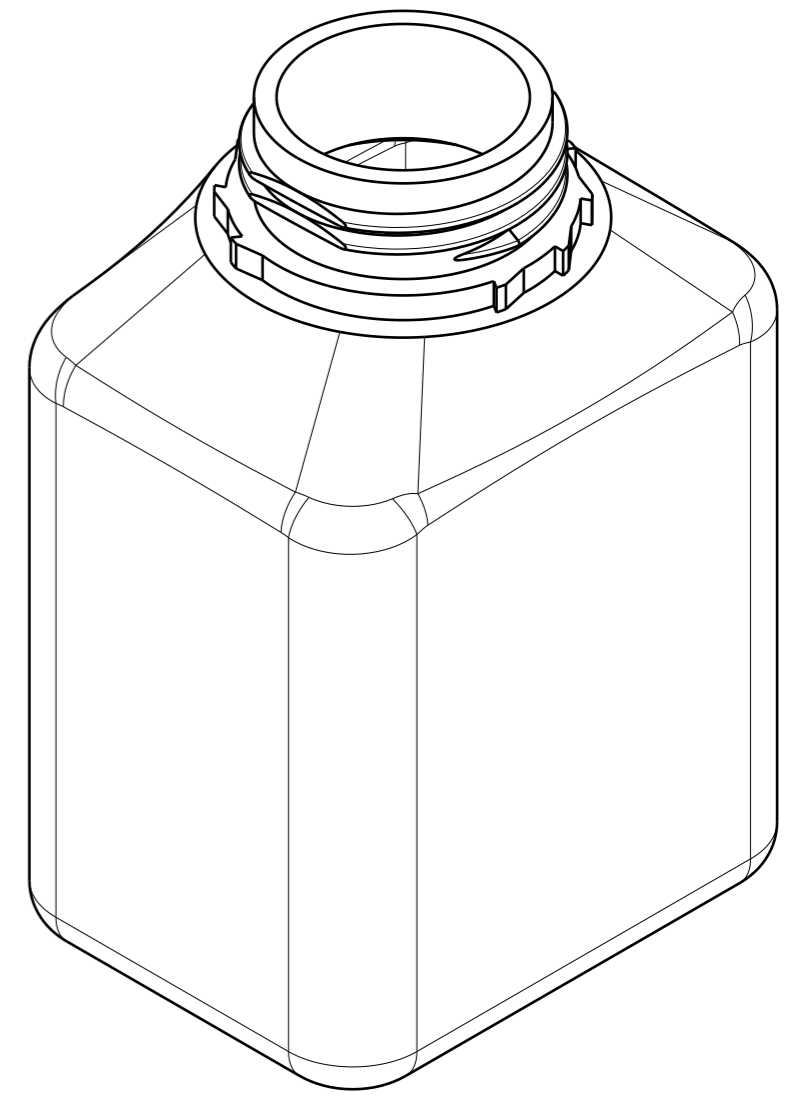
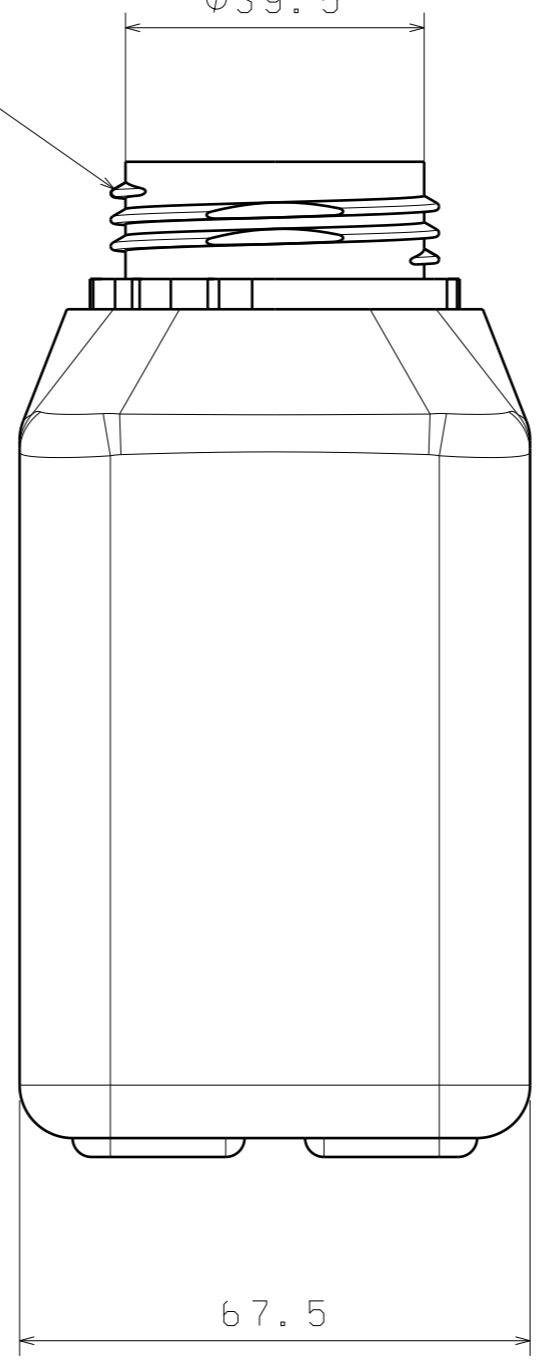
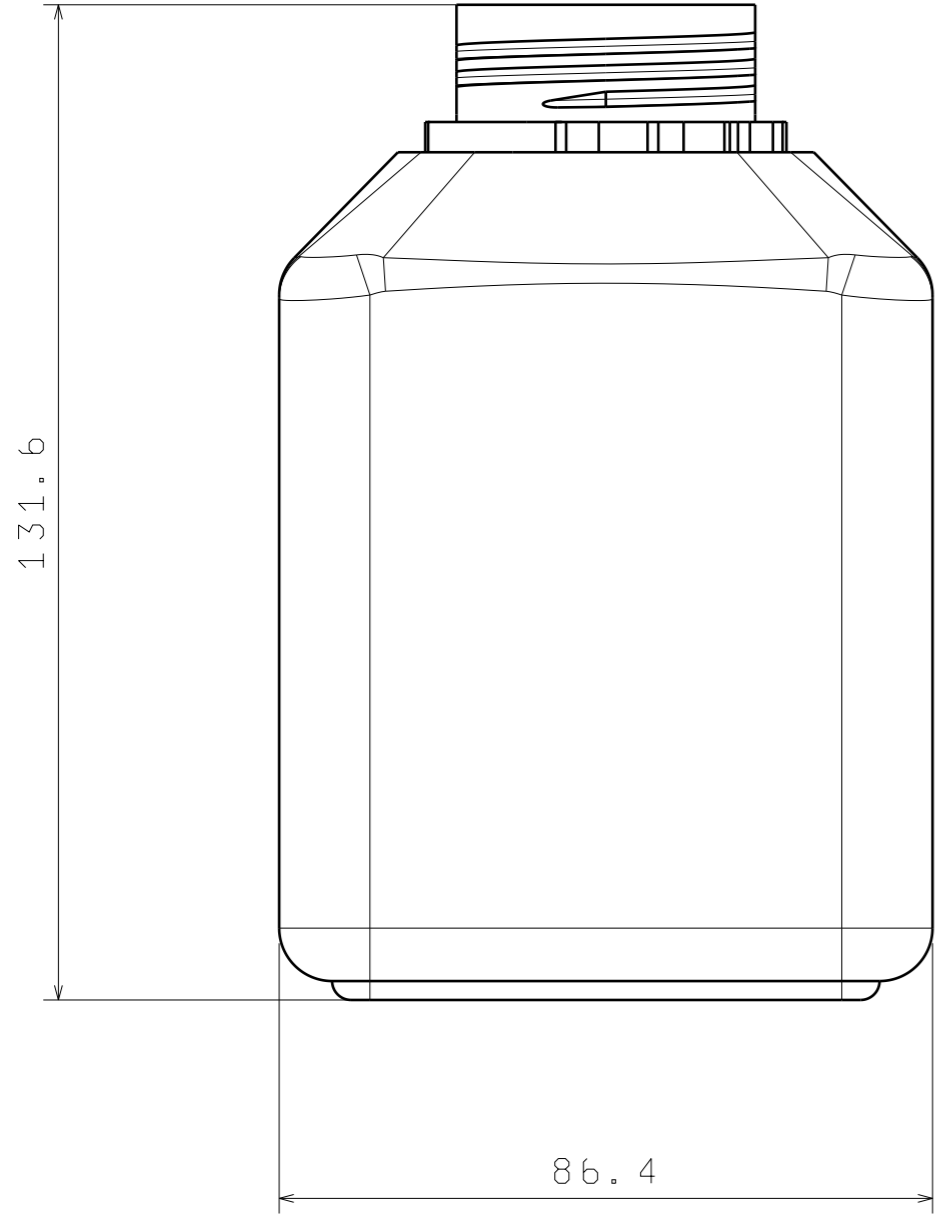


H G L E D C B A

Gwint  $\varnothing 44$  pod nakrętkę P2

$\varnothing 39.5$



4  
3  
2  
1

4  
3  
2  
1

DESIGNED BY: ZPHU W. B.			
DATE: 2020-03-05			
CHECKED BY: ZPHU W. B.			
DATE: 2020-03-05			
SIZE A3		ZPHU WOJCIECH BARAŃSKI	
SCALE 1:1	WEIGHT 0,12	DRAWING NUMBER BUTELKA BK500	SHEET 1/1
This drawing is our property; it can't be reproduced or communicated without our written agreement.			

H G B A