

H G F E D C B A

4

4

3

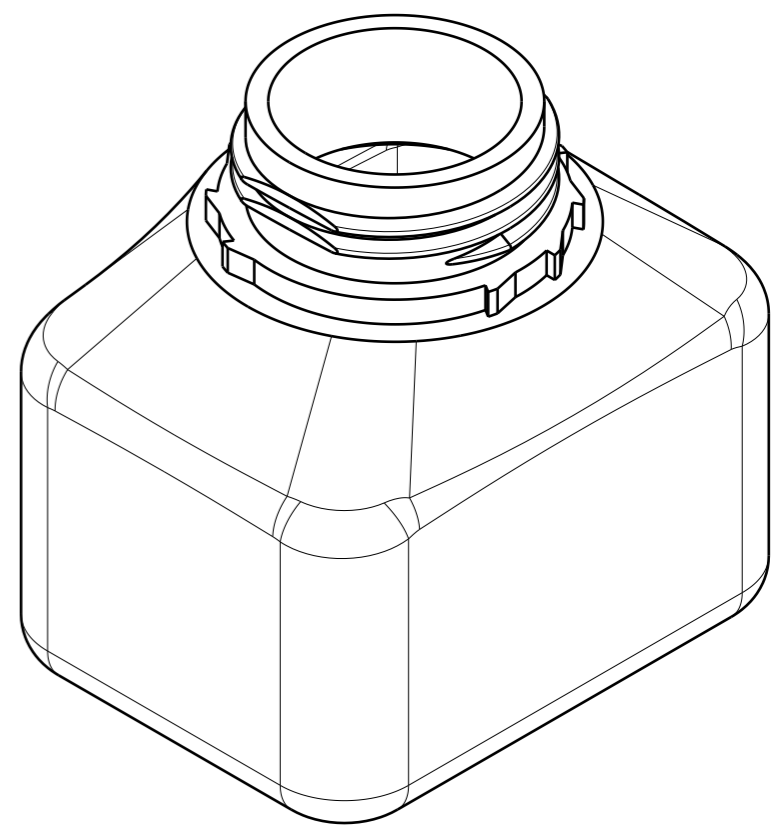
3

2

2

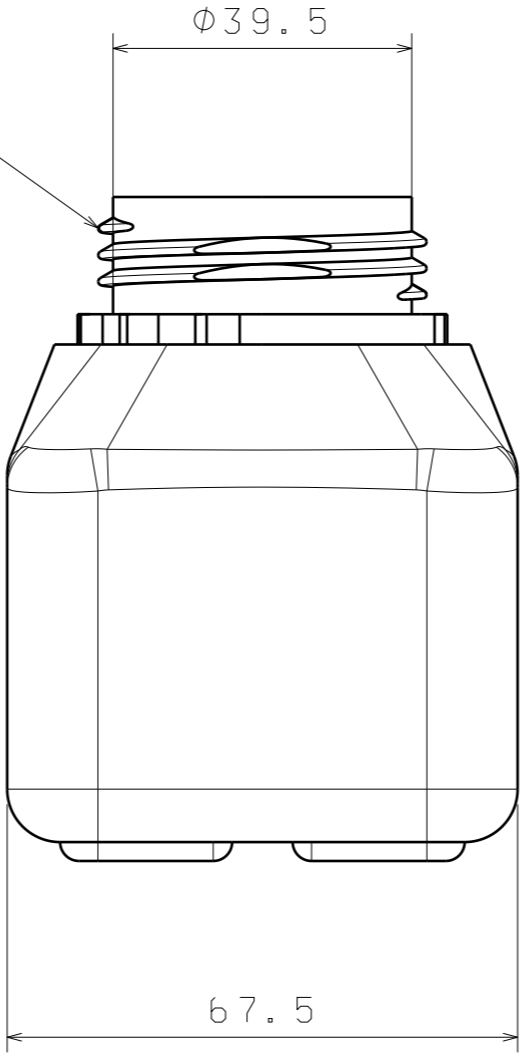
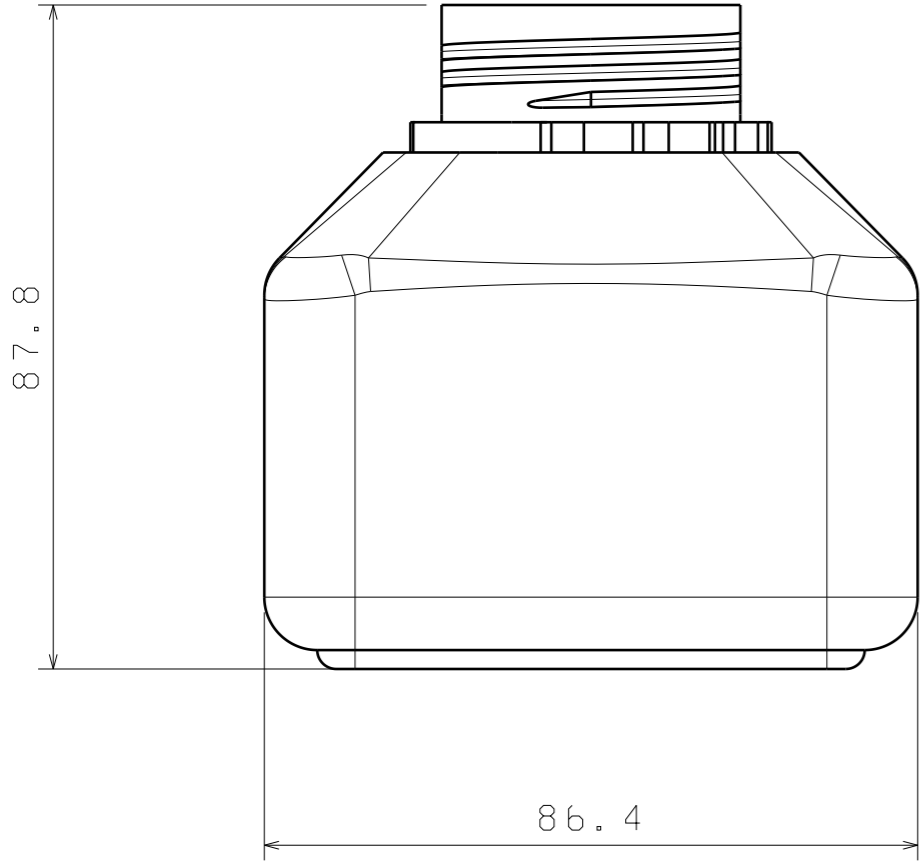
1

1



Gwint  $\varnothing 44$  pod nakrętkę P2

$\varnothing 39.5$



DESIGNED BY: ZPHU W. B.			
DATE: 2020-03-05			
CHECKED BY: ZPHU W. B.		ZPHU WOJCIECH BARAŃSKI	
DATE: 2020-03-05			
SIZE A3			
SCALE 1:1	WEIGHT 0,08	DRAWING NUMBER BUTELKA BK250	SHEET 1/1
This drawing is our property; it can't be reproduced or communicated without our written agreement.			

H G F E D C B A