

H G F E D C B A

4

4

3

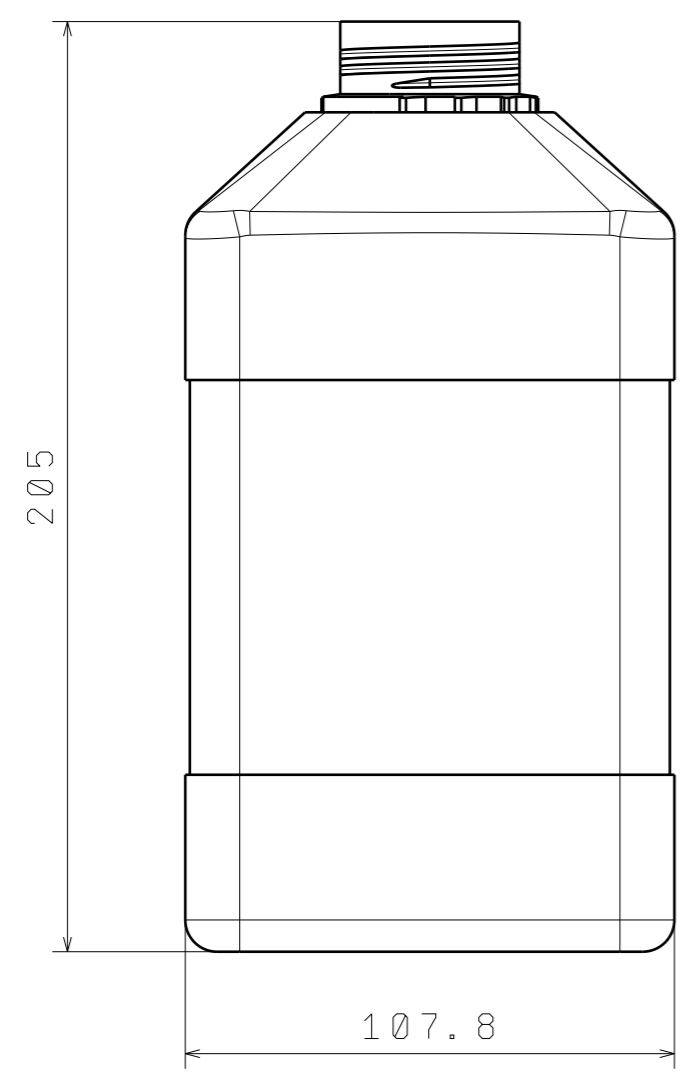
3

2

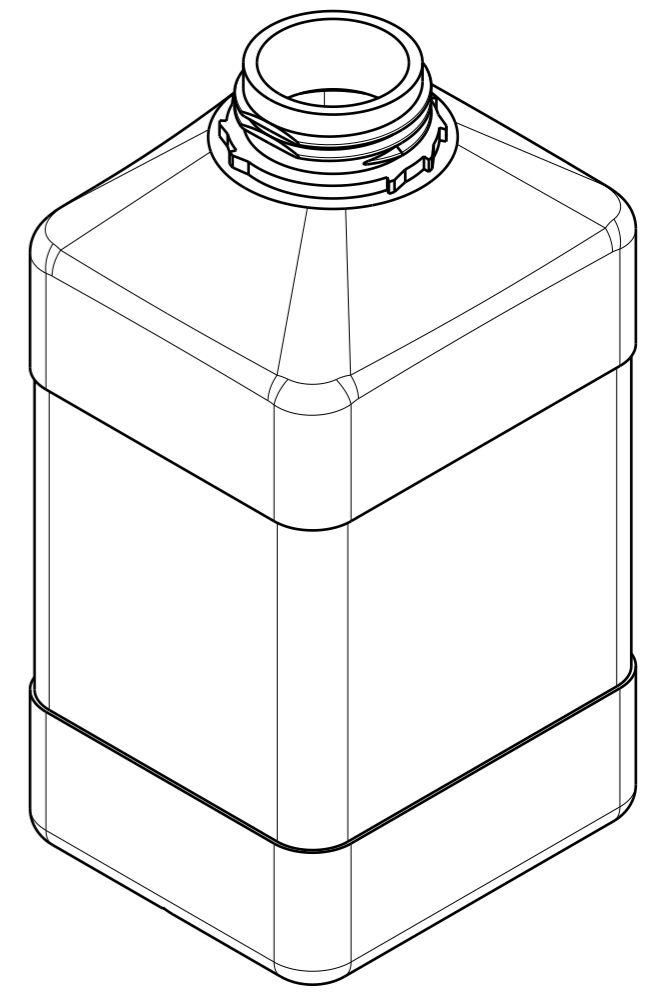
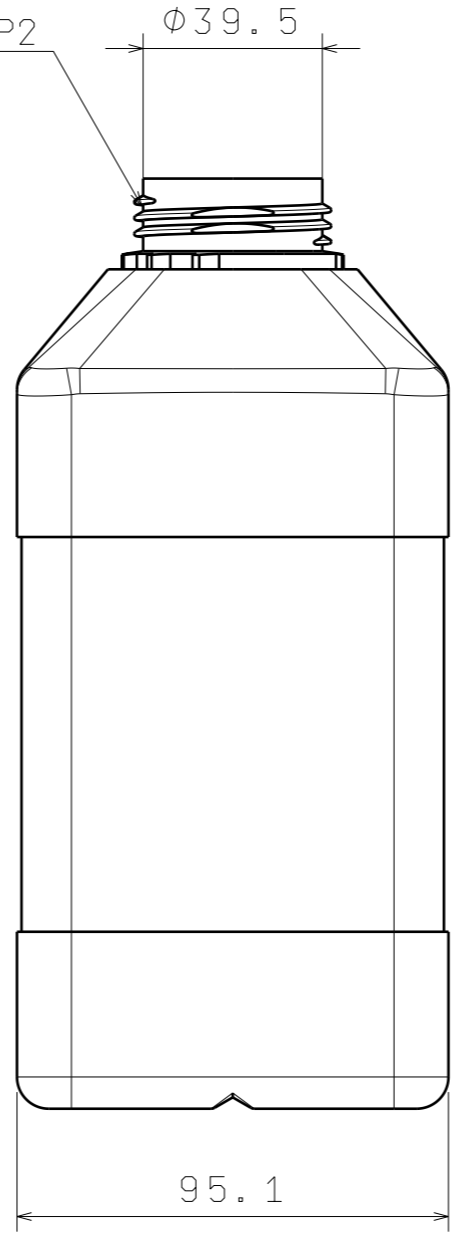
2

1

1



Gwint $\varnothing 44$ pod nakrętkę P2



DESIGNED BY: ZPHUE W. B.			
DATE: 2020-03-09			
CHECKED BY: ZPHU W. B.		ZPHU WOJCIECH BARAŃSKI	
DATE: 2020-03-09			
SIZE A3			
SCALE 3:5	WEIGHT 85 g	DRAWING NUMBER BUTELKA BK1,5	SHEET 1/1

This drawing is our property; it can't be reproduced or communicated without our written agreement.

H G F E D C B A