

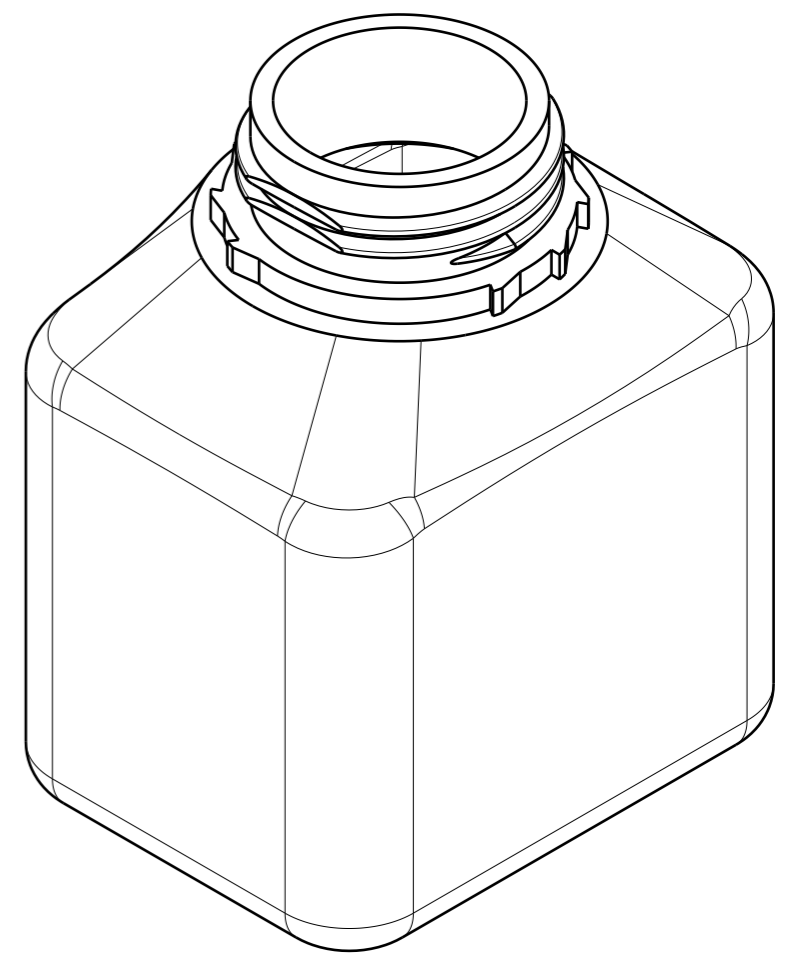
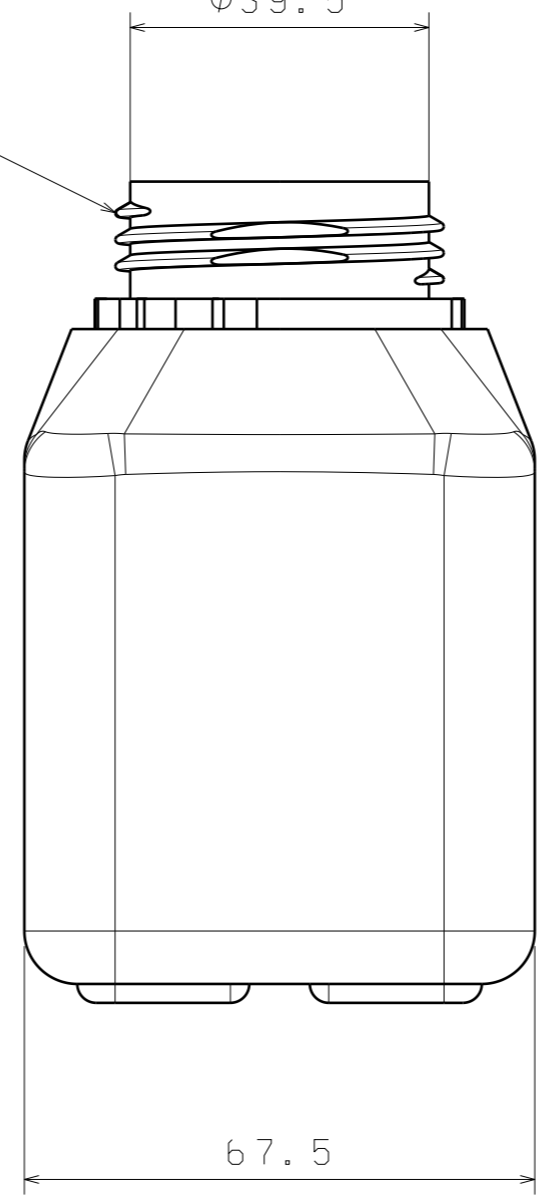
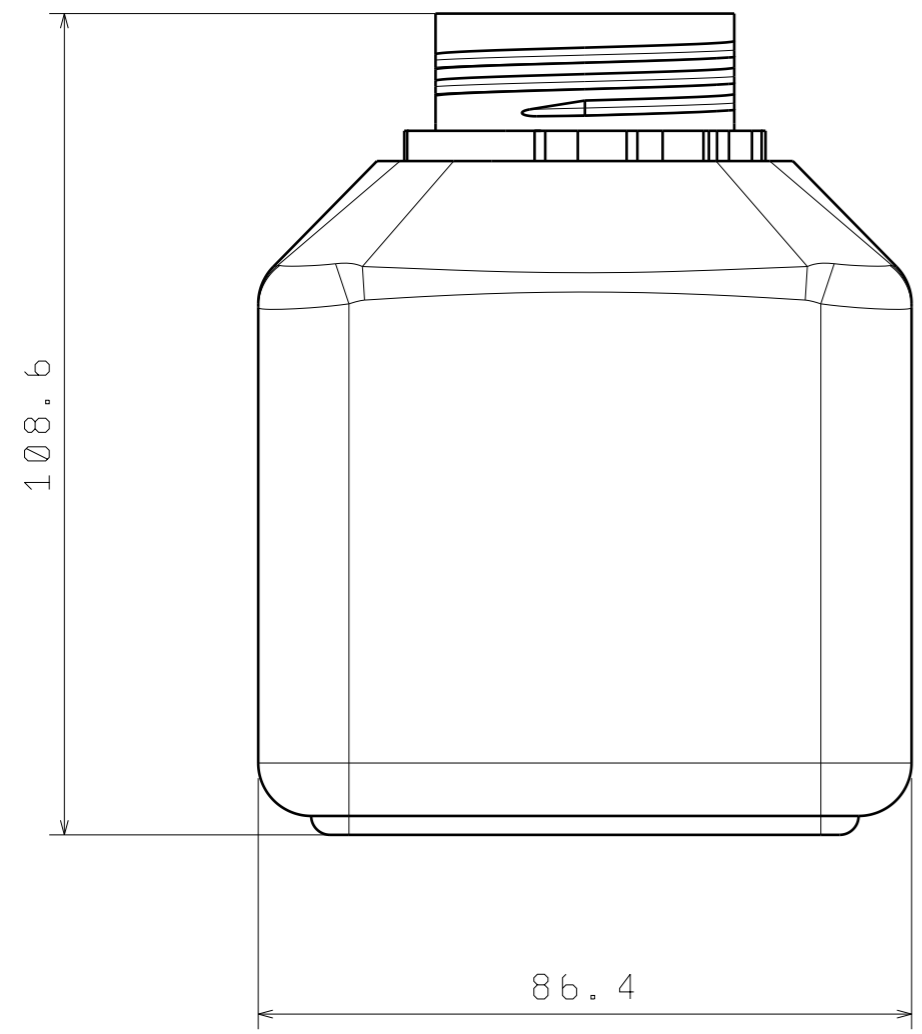
H G F E D C B A

4

4

Gwint $\Phi 44$ pod nakrętkę P2

$\Phi 39.5$



3

3

2

2

1

1

DESIGNED BY: ZPHU W. B.			
DATE: 2020-03-06			
CHECKED BY: ZPHU W. B.		ZPHU WOJCIECH BARAŃSKI	
DATE: 2020-03-06			
SIZE: A3			
SCALE: 1:1	WEIGHT (kg): 0,10	DRAWING NUMBER: BUTELKA BK 370	SHEET: 1/1
This drawing is our property; it can't be reproduced or communicated without our written agreement.			

H G F E D C B A