

4

3

2

1

4

3

2

1

H

G

F

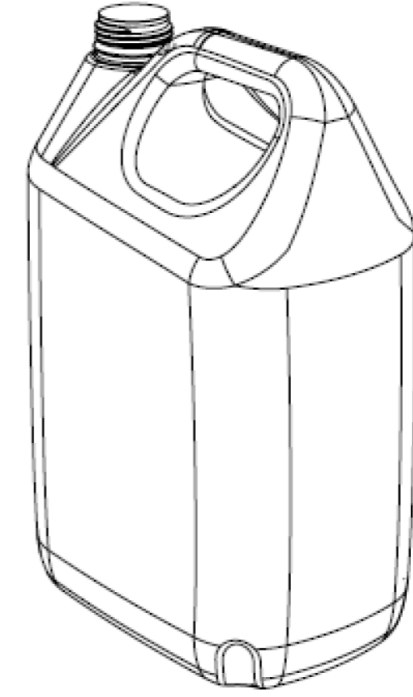
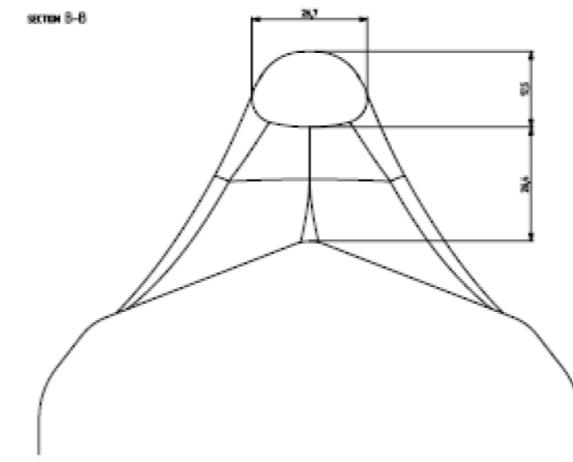
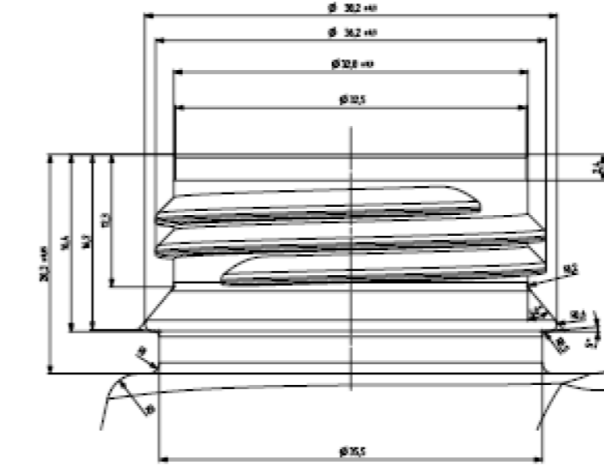
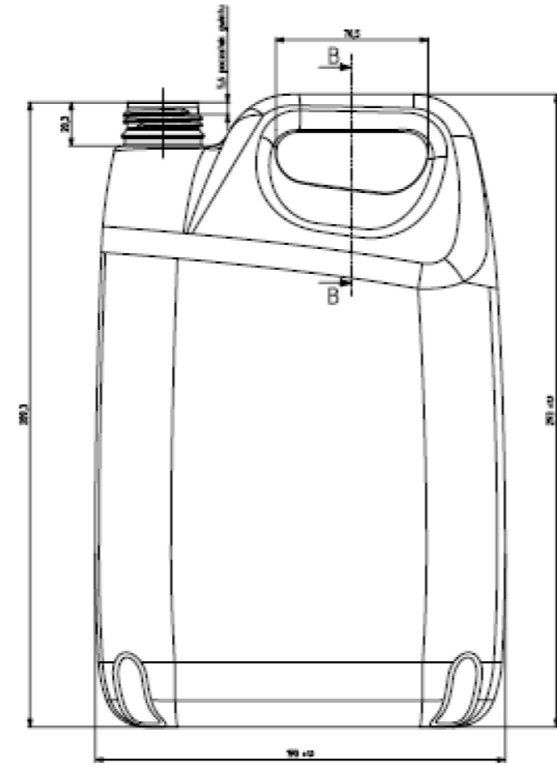
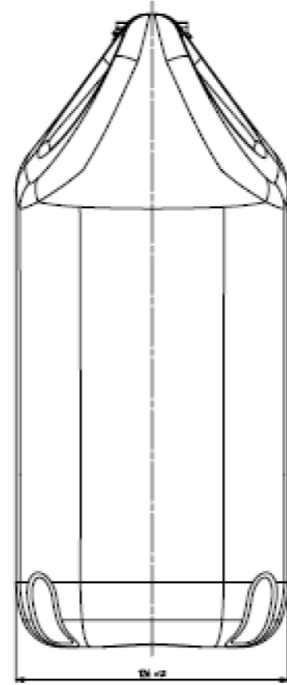
E

D

C

B

A



DESIGNED BY: ZPHU W. B.			
DATE: 2020-02-16			
CHECKED BY: ZPHU W. B.			
DATE: 2020-02-16			
SIZE A3		ZPHU WOJCIECH BARAŃSKI	
SCALE N/A	WEIGHT (kg)	DRAWING NUMBER KANISTER 5L	SHEET 1/1
This drawing is our property; it can't be reproduced or communicated without our written agreement.			

H

G

B

A